

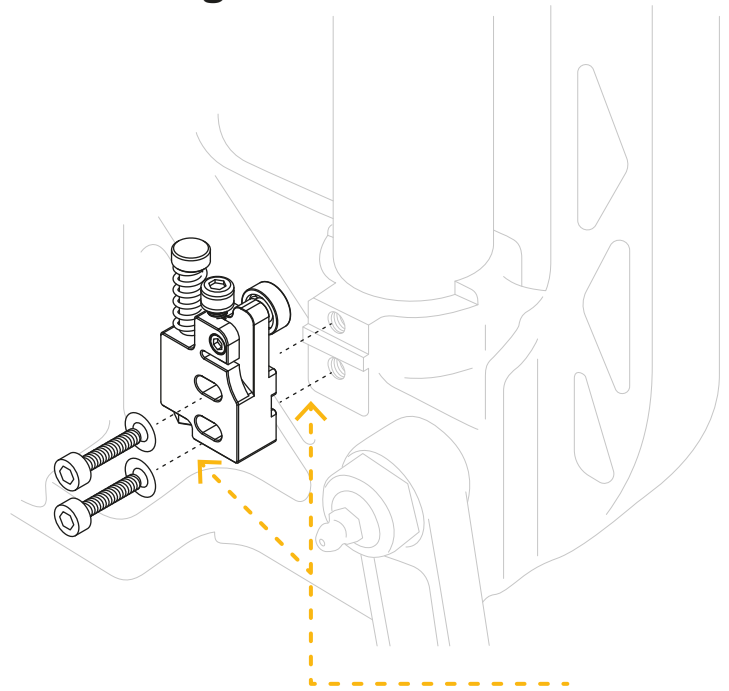
ARMANOV

Index Bearing Cam Block
Spring Loaded for Dillon XL750



Armanov d.o.o.
Brezovce 9
1236 Trzin, Slovenija
Tel: +386 30 467 000
armanov.com

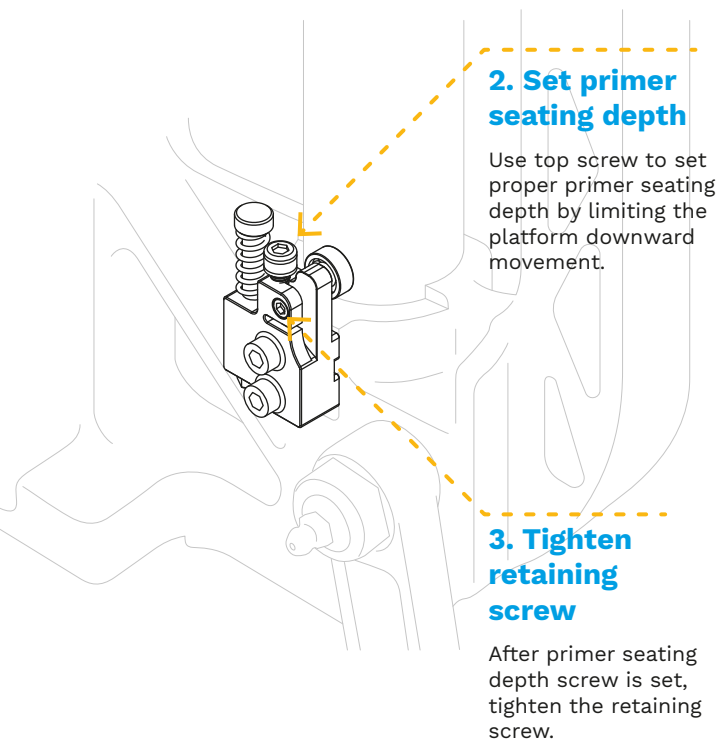
Mounting



1. Install the index cam block

Replace original block with Armanov Index bearing cam block using supplied screws and washers.

Setting



Spring replacement

